

**Speciality Series**  
**Top-Mount Double Bowl Sink**  
**SST3322-55-ADA**

**MATERIAL**

Premium quality Type 304 nickel bearing stainless steel

**FEATURES**

- 20 gauge topmount
- Scratch resistant matte finish
- Heavy duty sound absorbent coating & padding
- Intelli-Pressed seamless one-piece construction
- Drain openings: 3 1/2"
- Drain placement: centered
- Number of faucet holes: 3
- Mounting hardware included
- Cutout opening: 32-5/8" x 21-1/2" w/ 1-1/8" radius corners
- Limited lifetime warranty
- Complies with ASME A 112.19.3-2008/CSA B45.4-08
- ADA compliance (See recommended ADA Installation below)



**OPTIONAL ACCESSORIES**

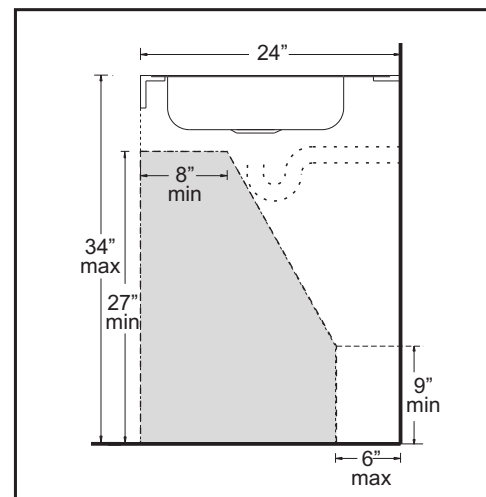
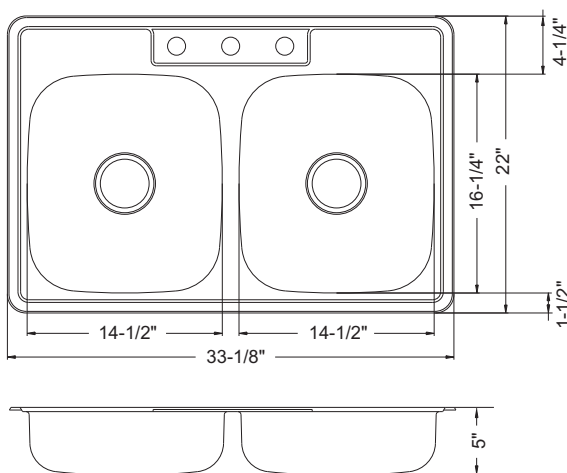
Basket Strainer: S9900



S9900

**SINK DIMENSIONS**

Model	Overall		Left Bowl Inside			Right Bowl Inside			Recommend Cabinet Size
	L	W	L	W	D	L	W	D	
SST3322-55-ADA	33-1/8"	22"	14-1/2"	16-1/4"	5"	14-1/2"	16-1/4"	5"	36"



Recommended ADA Installation